

EXTRA EQUIPMENT

10

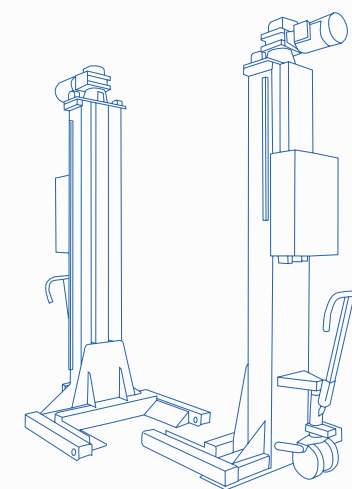
ART. 983

ART. 983/A

ART. 983/B

ART. 983/FM

ART. 984



MOBILE COLUMN LIFTS

EXTRA EQUIPMENT

Adapters for wheels having diameter less than 900 mm

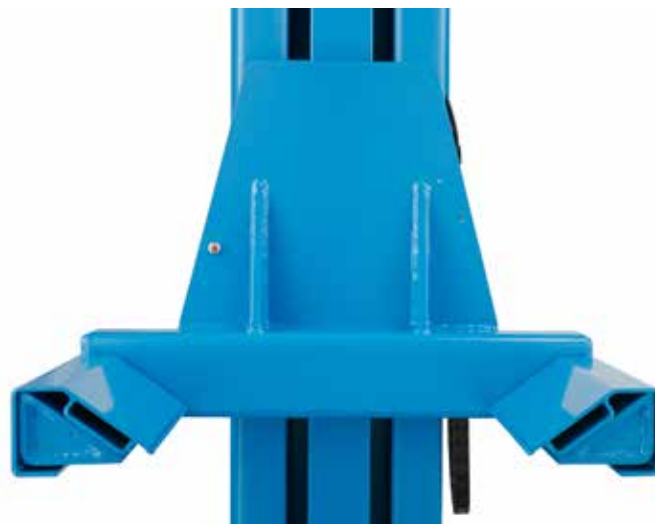
ART. 983 → Ø 700 • 500 mm

ART. 983/A → Ø 800 • 700 mm

ART. 983/B → Ø 900 • 800 mm



7500 Kg

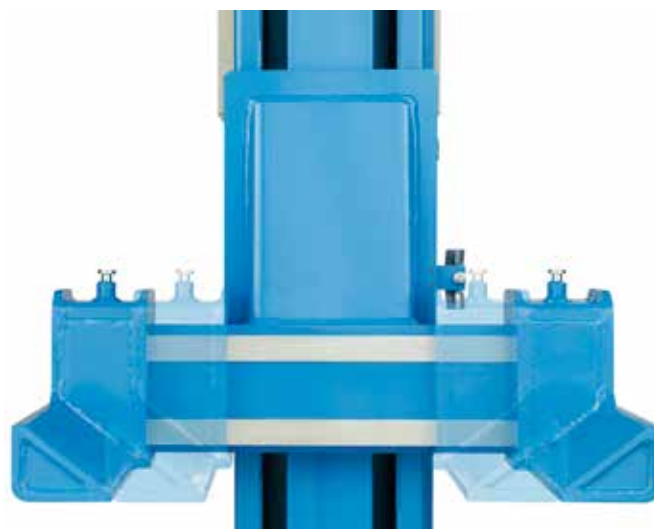
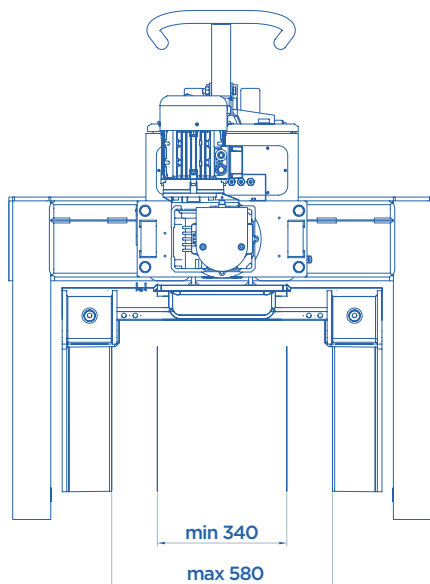


Extra charge for outdoor use



ART. 984 ✓ SERIE 959 • 963

Trolley with adjustable forks



ART. 983/FM → Ø 1200 • 500 mm

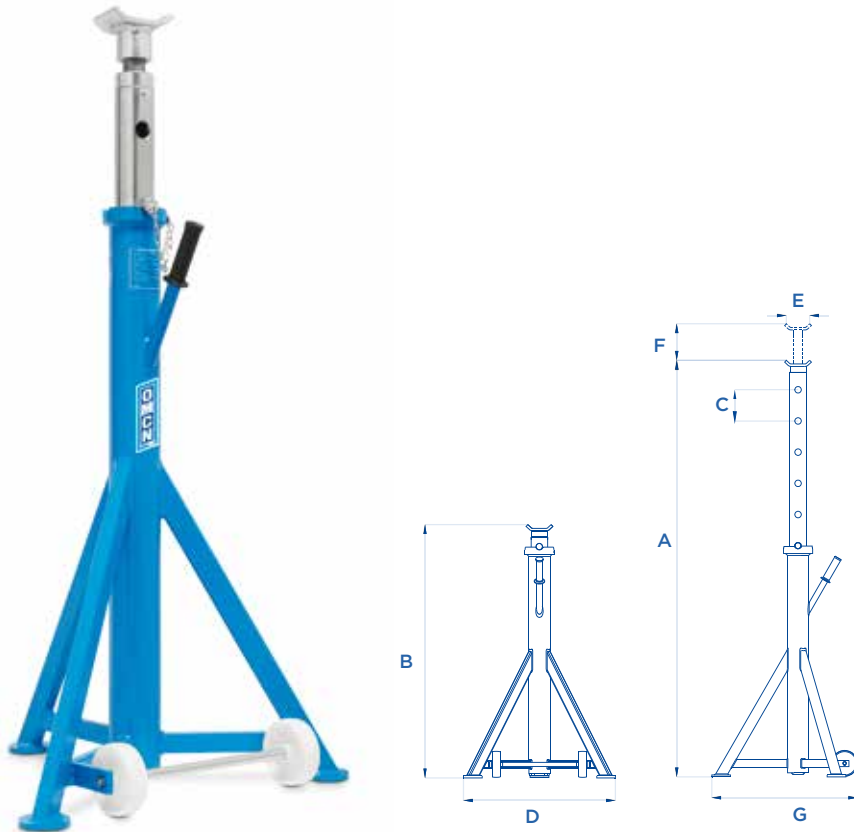
✓ SERIE 959 • 963 • 970 • 995 • 995W



EXTRA EQUIPMENT • ACCESSORY OPTION

ART. 982 • 982/B

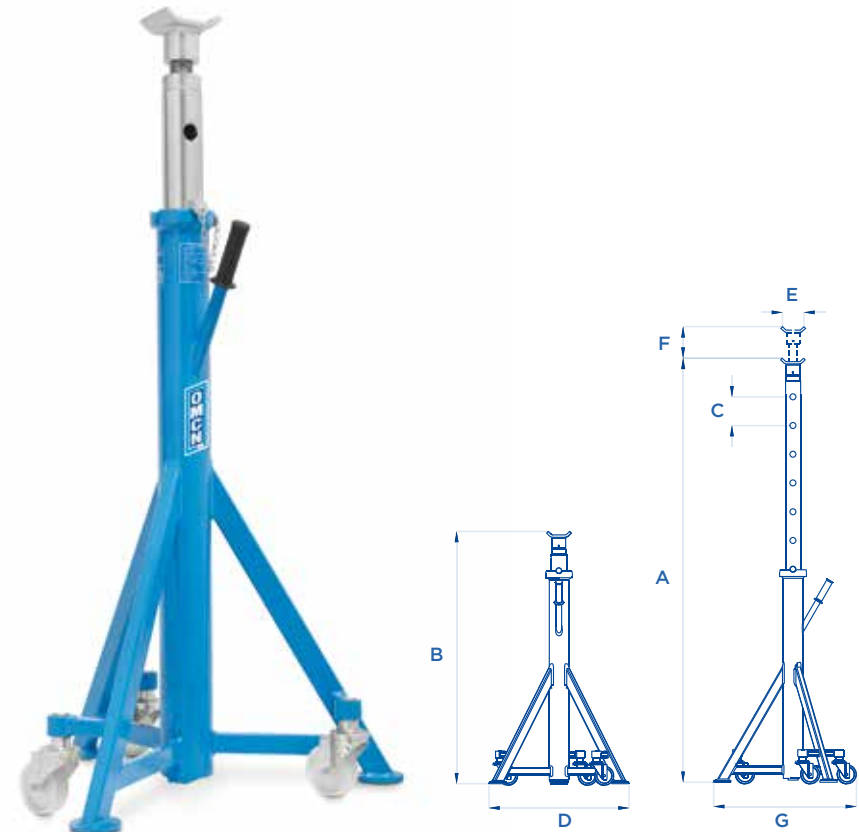
Supporting stand equipped with fixed wheels for an easy movement



ART.		A mm	B mm	C mm	D mm	E mm	F mm	G mm
982	10000 Kg	2050	1300	150	730	130	70	700
982/B	7200 Kg	2050	1300	150	715	130		700

ART. 982/A

Supporting stand equipped with re-entering wheels for the housing of the loading



ART.		A mm	B mm	C mm	D mm	E mm	F mm	G mm
982/A	10000 Kg	2050	1300	150	730	130	70	660